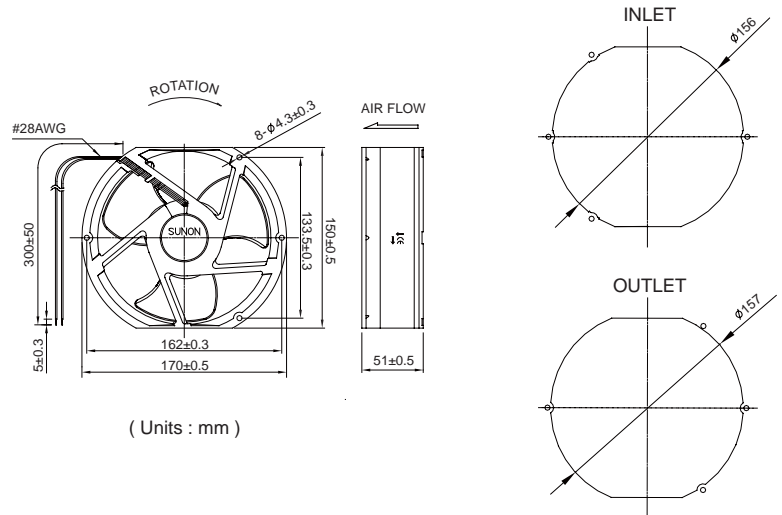
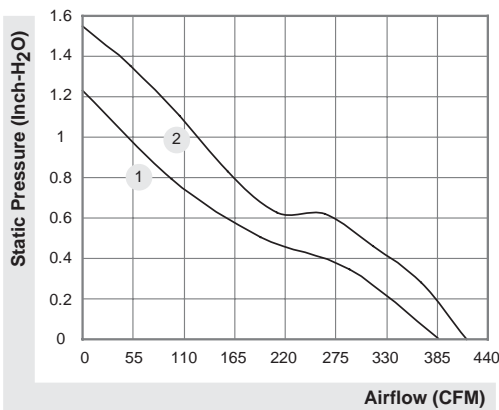


170x150x51 mm

387.1~417.2 CFM



Model	Bearing	Rating Voltage (VDC)	Power Current (mA)	Power Consumption (WATTS)	Speed (RPM)	Air Flow (CFM)	Static Pressure (Inch-H ₂ O)	Noise (dBA)	Weight (g)	Curve
PSD24H0AZBX-A	⊙ BALL	24	2300	55.20	5800	387.1	1.23	69.0	550.0	1
PSD48H0AZBX-A	⊙	48	1550	74.40	6200	417.2	1.55	70.9	550.0	2



*All model could be customized. Please contact with Sunon Sales.

*Specifications are subject to change without notice. Please Visit SUNON web site at <http://www.sunon.com> for update information.